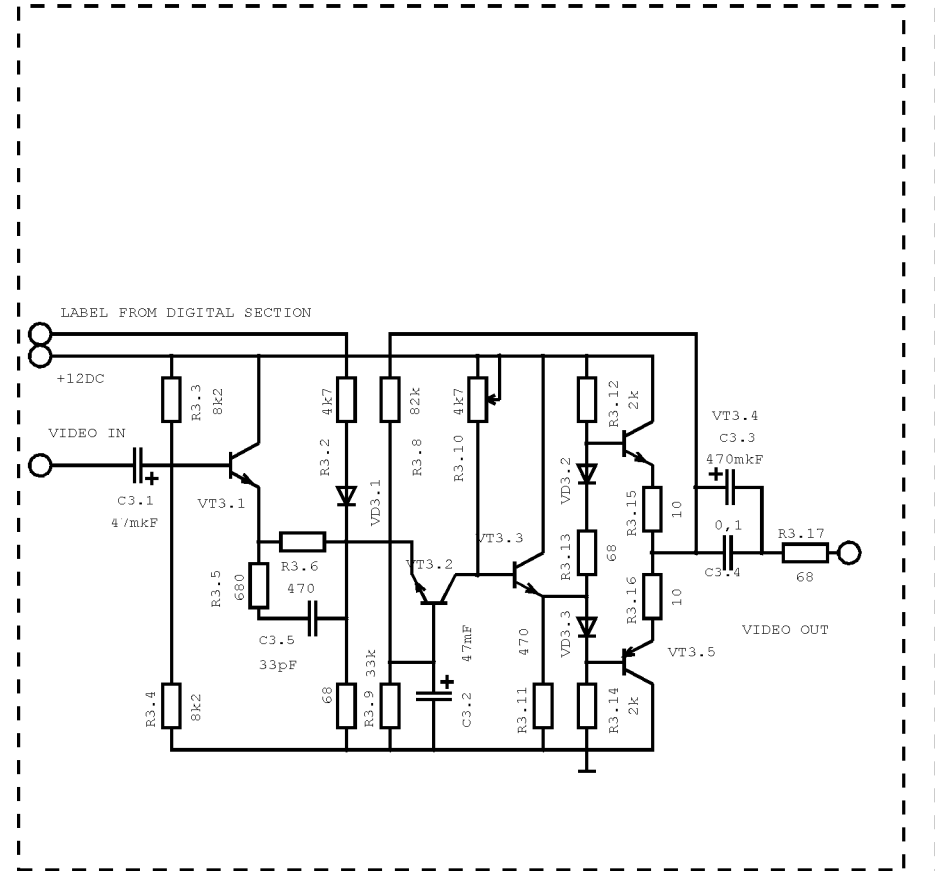
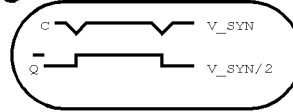
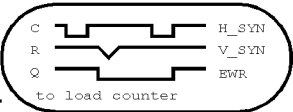
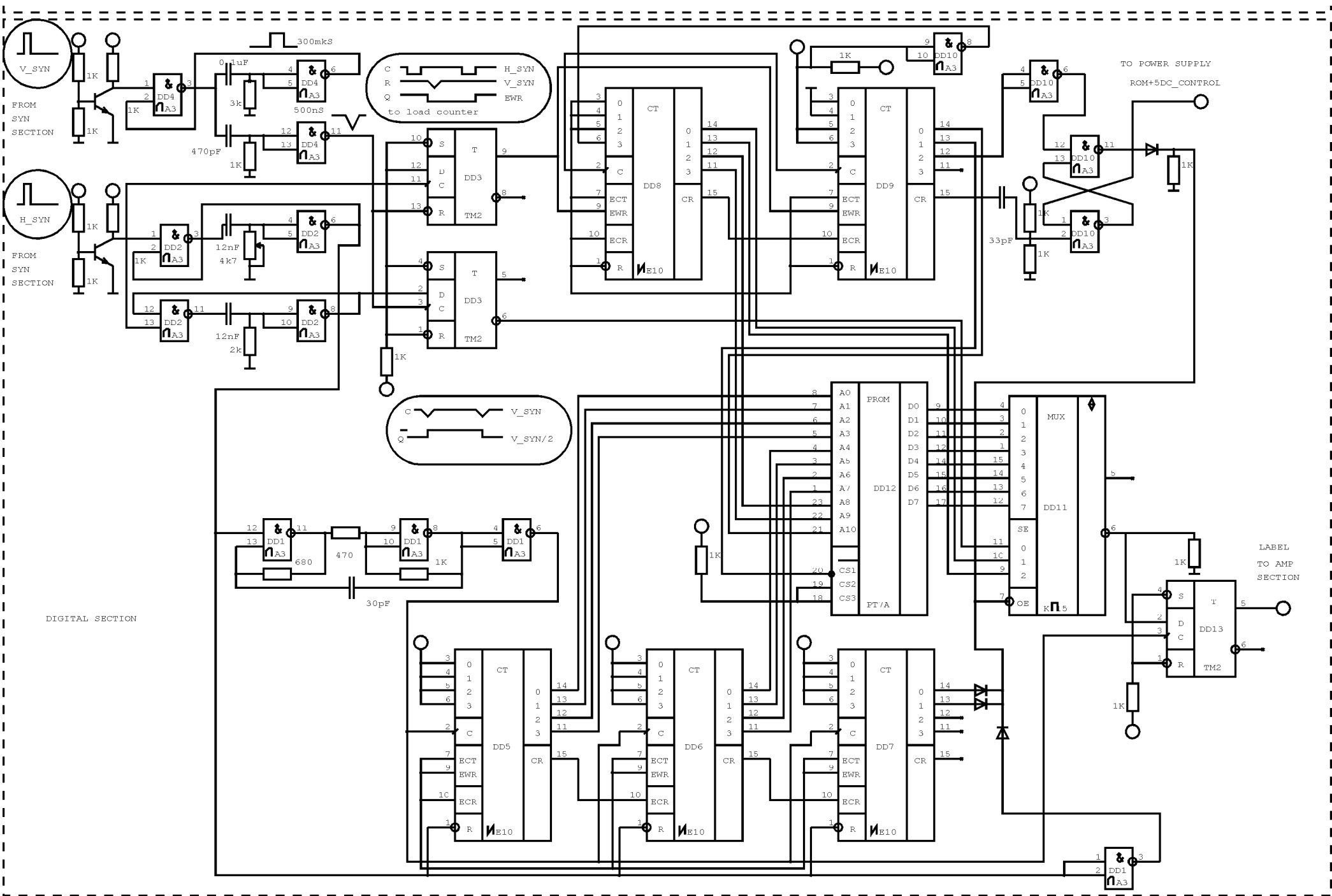


SYN SECTION



AMP SECTION



DIGITAL SECTION

LABEL TO AMP SECTION

TO POWER SUPPLY  
ROM+SDC\_CONTROL